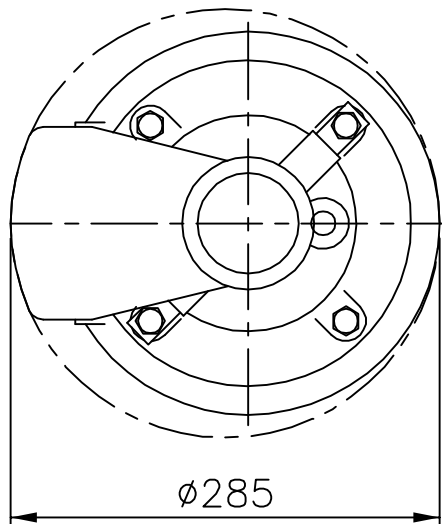
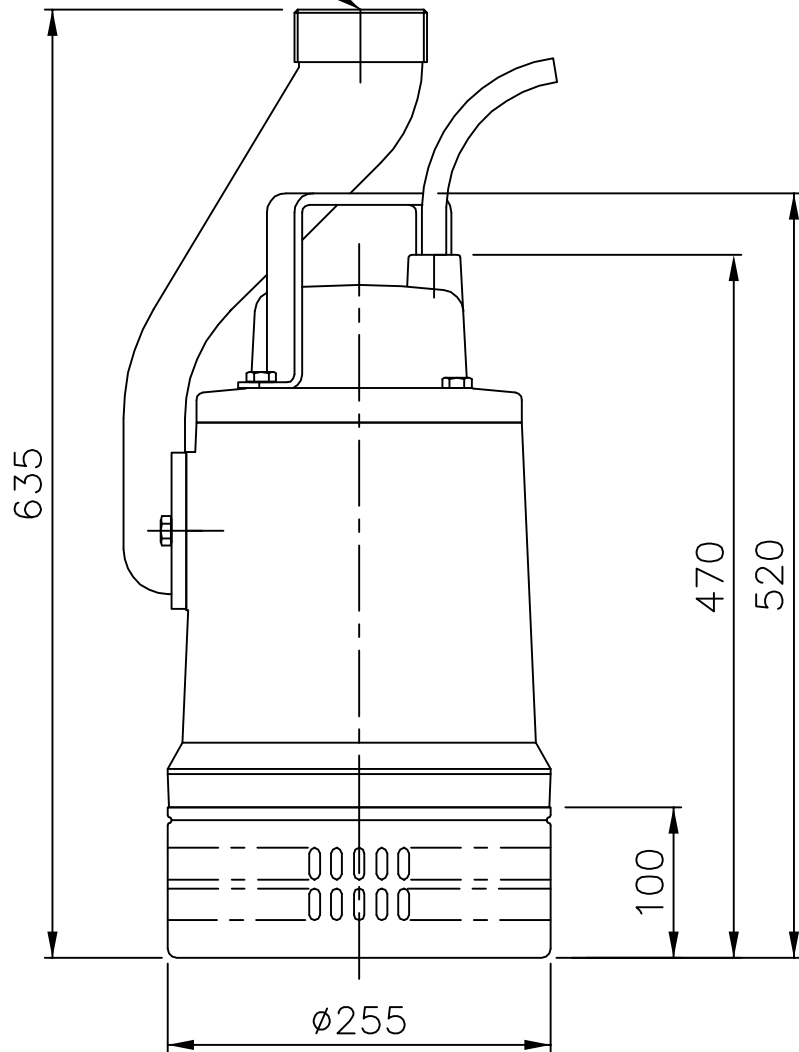


ISO-G 3A



SCREEN OPENING 7x21

Weight (kg)
Total
27

	Denomination	Drawn by	Checked by	Date
	Dimensional drwg BS 2066 ISO-G 3A, Std, Strainer	MP		890206
		Scale	Reg no	
		1:5	5299	
		5512000		1