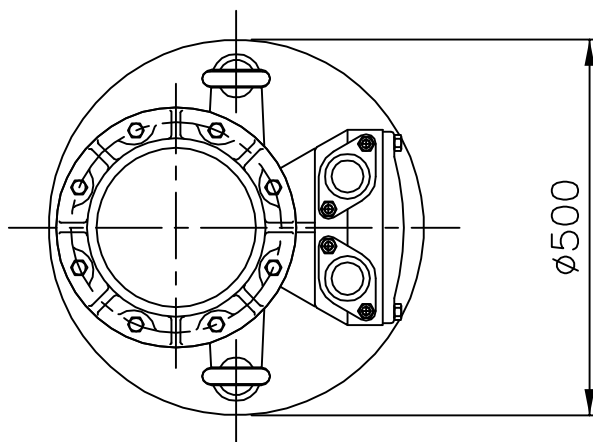
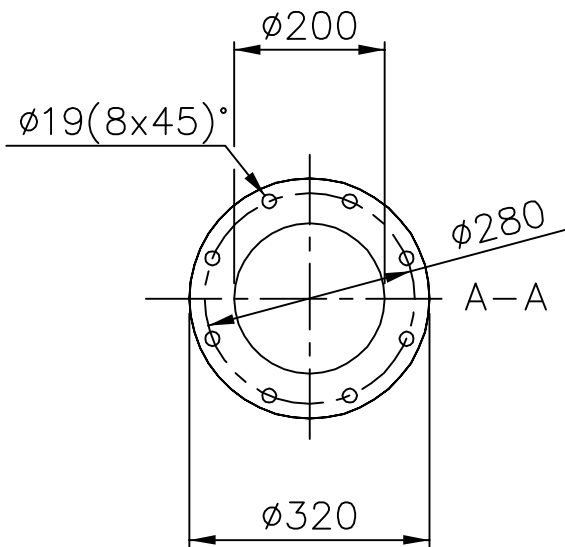
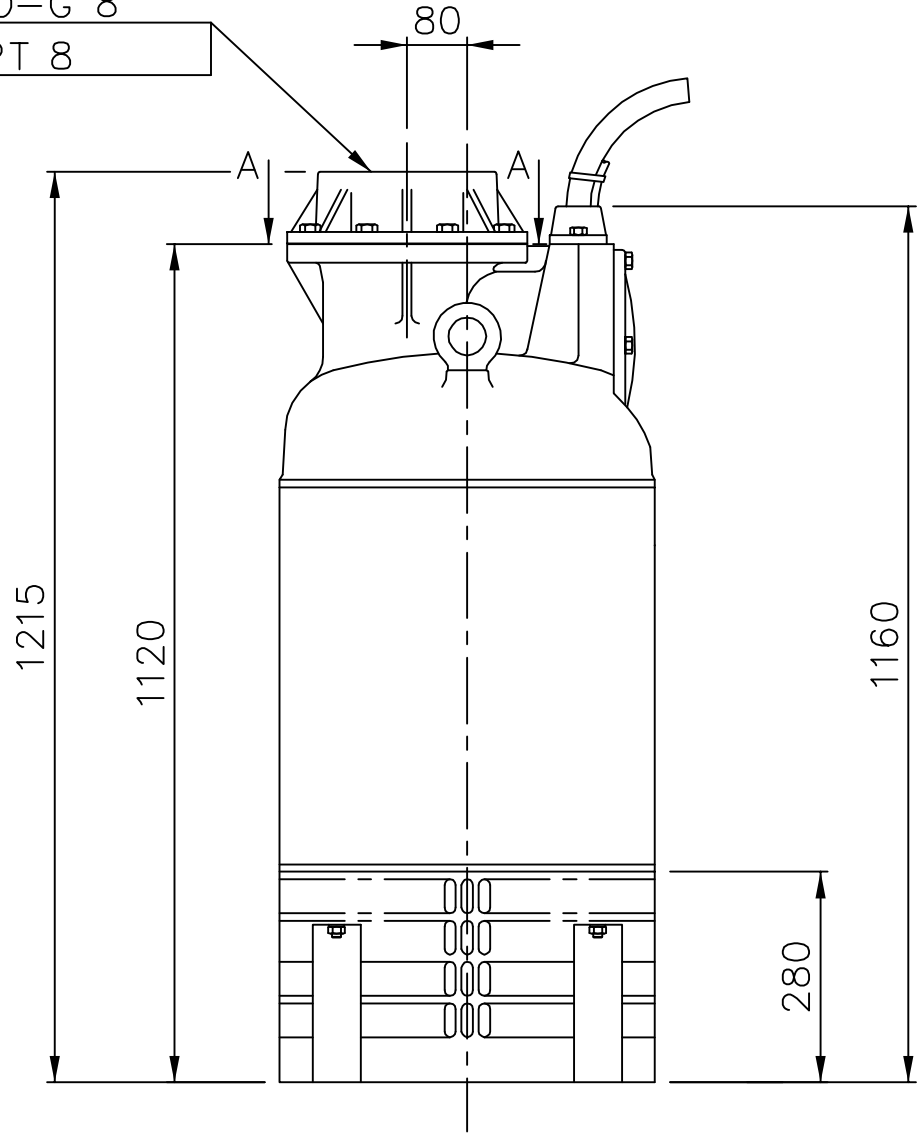


ISO-G 8
NPT 8



SCREEN OPENING 15x45

Weight (kg)

Total

280

FLIGHT
AUTOCAD
DRAWING

Denomination
Dimensional drwg
BS 2201.011 LT,MT
ISO-G 8,Std,Strainer

| | | | | | |
|----------|------|------------|--------|------|--------|
| Drawn by | MN | Checked by | EDH | Date | 890303 |
| Scale | 1:10 | | Reg no | 5299 | |
| 5520800 | | | 1 | | |