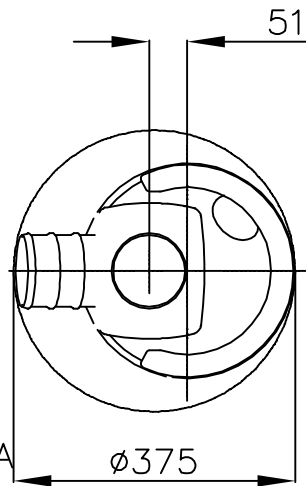
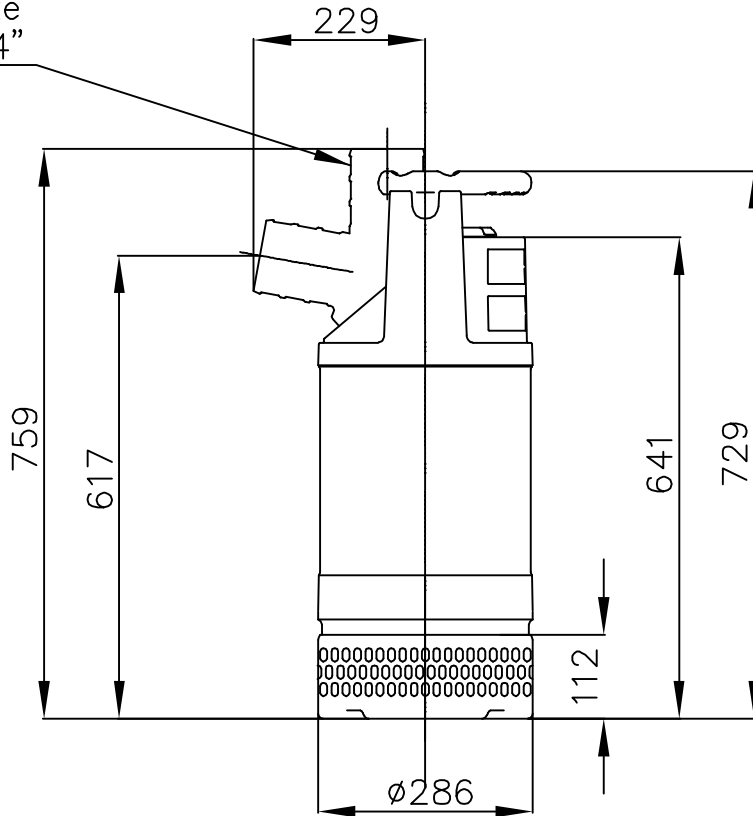


ISO-G 4A
 NPT 4-8
 ø100 Hose size
 * Victaulic 4"




* Designed for "Victaulic Coupling",
 according to ANSI/AWWA
 C606-97

Screen opening 8x18

ISO-metric

Weight (kg)
Total
51

 AUTOCAD DRAWING	Denomination Dimensional drwg BS,KS 2640.080,180 MT ISO-G 4A	Drawn by KST Scale 1:5 7051500	Checked by Ken Reg no	Date 080403
				3