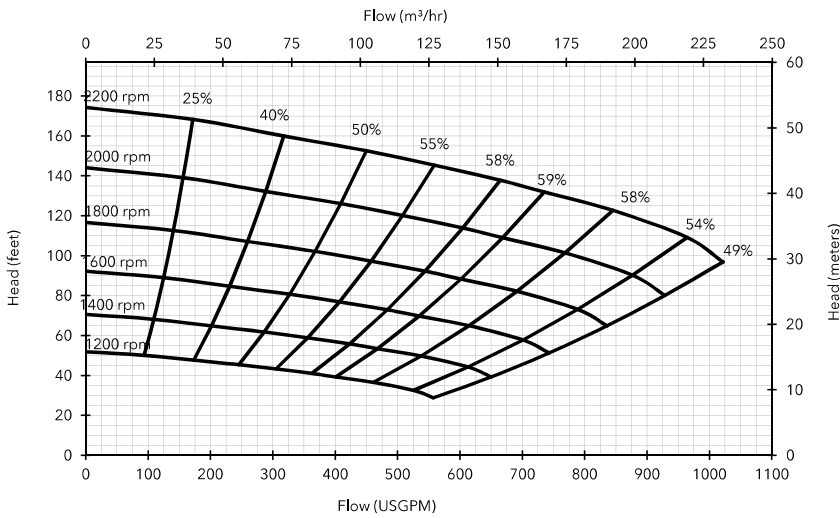


Performance Curve



Engine option 1

Caterpillar C2.2T (IT4 Flex), 41 HP @ 2200 rpm

Impeller diameter 10.1"

Pump speed 2200 rpm

Suction Lift Table

Total Suction Head (feet)	Total Delivery Head (feet)				
	78	103	127	152	176
	Output (USGPM)				
10	1022	915	646	350	-
15	996	834	538	215	-
20	888	753	431	-	-
25	807	646	269	-	-

Fuel capacity: 60 US Gal

Max Fuel consumption @ 2200 rpm: 2.4 US Gal/hr

Max Fuel consumption @ 1800 rpm: 2.0 US Gal/hr

Weight (Dry): 2,240 lbs

Weight (Wet): 2,650 lbs

Dim.: (L) 119" x (W) 66" x (H) 77"

Performance data provided in tables is based on water tests at sea level and 20°C ambient. All information is approximate and for general guidance only. Please contact the factory or office for further details.

Materials

Pump casing & suction cover	Cast iron BS EN 1561 - 1997
Wearplates	Cast iron BS EN 1561 - 1997
Pump Shaft	Carbon steel BS 970 - 1991 817M40T
Impeller	Cast Steel BS3100 A5 Hardness to 200 HB Brinell
Non-return valve body	Cast iron BS EN 1561 - 1997
Mechanical seal	Silicon carbide face; Viton elastomers; Stainless steel body

Engine option 2

John Deere 4024TF281 (IT4 Flex), 46 HP @ 2200 rpm

Impeller diameter 10.1"

Pump speed 2200 rpm

Suction Lift Table

Total Suction Head (feet)	Total Delivery Head (feet)				
	78	103	127	152	176
	Output (USGPM)				
10	1022	915	646	350	-
15	996	834	538	215	-
20	888	753	431	-	-
25	807	646	269	-	-

Fuel capacity: 60 US Gal

Max Fuel consumption @ 2200 rpm: 2.6 US Gal/hr

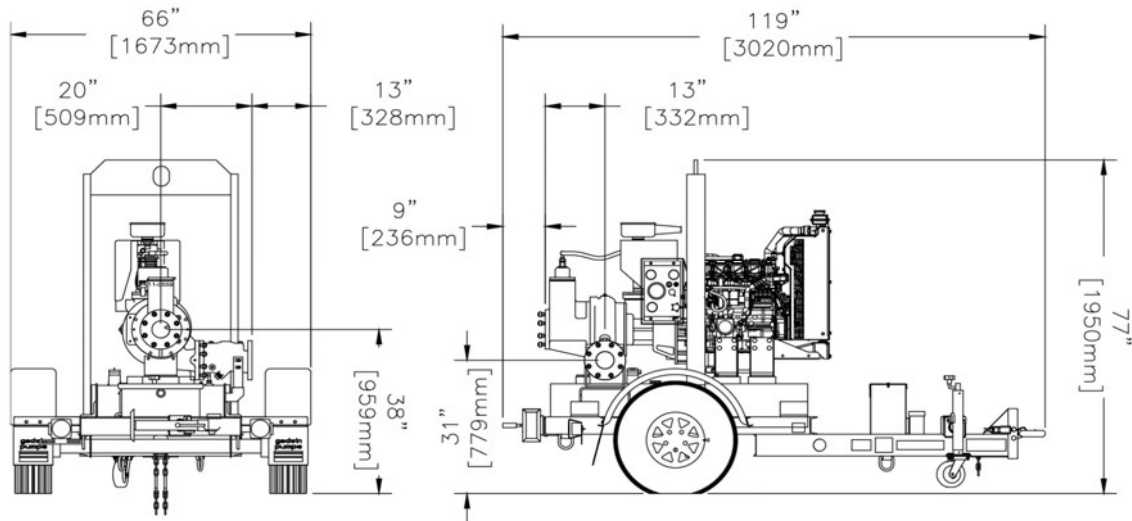
Max Fuel consumption @ 1800 rpm: 2.3 US Gal/hr

Weight (Dry): 2,400 lbs

Weight (Wet): 2,800 lbs

Dim.: (L) 119" x (W) 66" x (H) 77"

Performance data provided in tables is based on water tests at sea level and 20°C ambient. All information is approximate and for general guidance only. Please contact the factory or office for further details.



84 Floodgate Road
Bridgeport, NJ 08014 USA
(856) 467-3636 · Fax (856) 467-4841
Email: sales@godwinpumps.com

Reference number : 95-1008-3000
Date of issue : February 26, 2014
Issue : 5

www.godwinpumps.com