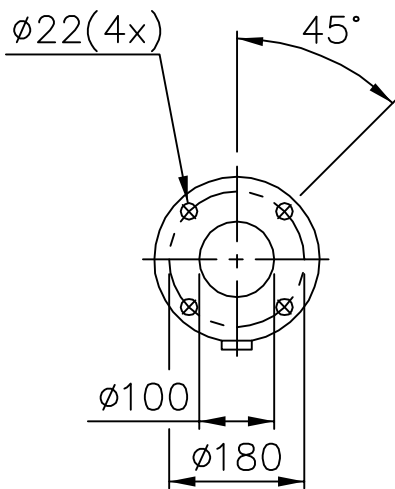
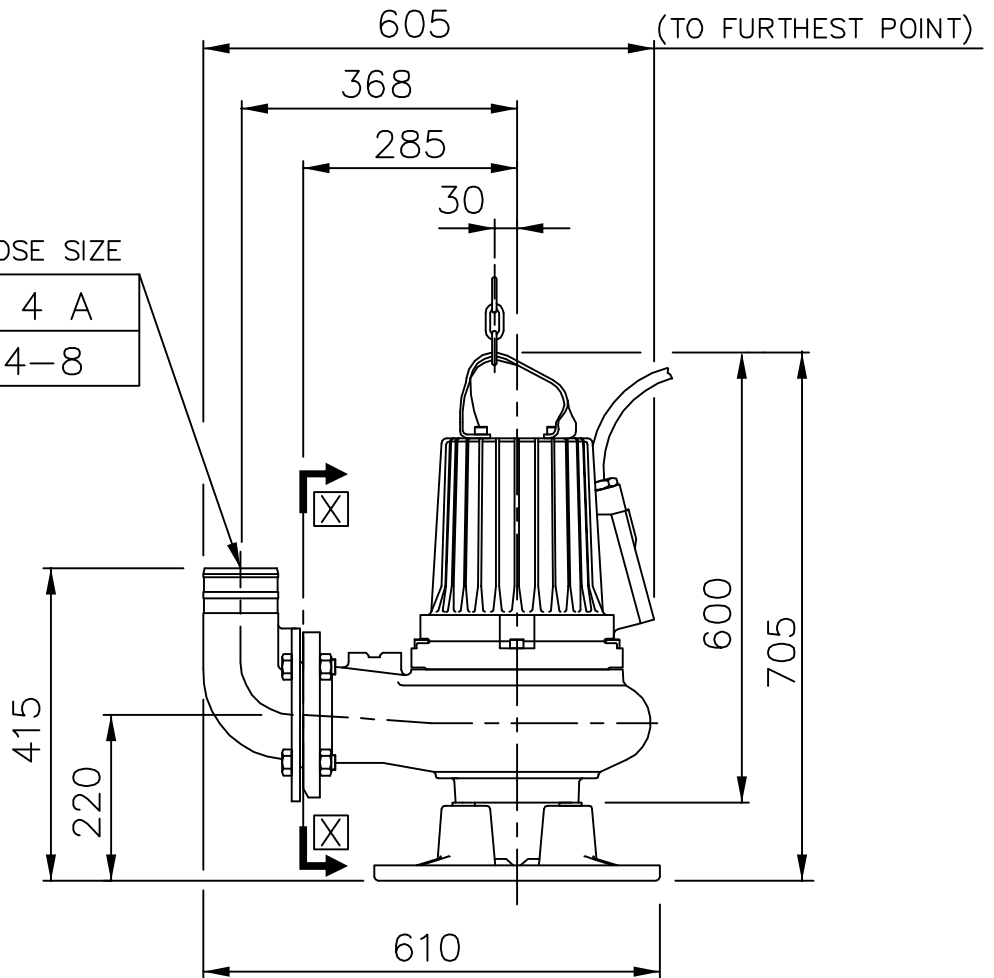
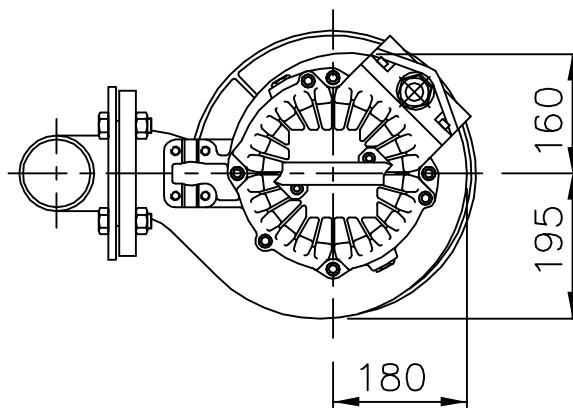


Ø100 HOSE SIZE
 ISO-G 4 A
 NPSM 4-8



VIEW ☒ - ☒



Weight (kg)	
Total incl. stand	
121	

 AUTOCAD DRAWING	Denomination	Drawn by	Checked by	Date
	Dimensional drwg	Klas		880128
	CS 3102 MT	Scale	1:10	Reg no
	Dia 100	5385800		5399
		4		